



**HAYWARD®**

092637 RevA

# AquaRite®

Electronic Chlorine Generator

## Owner's Manual



### Contents

Operation.....	2
Installation.....	11
Troubleshooting.....	15
Warranty.....	18

AQR940-CUL  
AQR925-CUL

Hayward Pool Products  
620 Division Street, Elizabeth NJ 07207  
[www.hayward-pool.ca](http://www.hayward-pool.ca)

USE ONLY HAYWARD GENUINE REPLACEMENT PARTS



# HAYWARD®

## IMPORTANT SAFETY INSTRUCTIONS

When using this electrical equipment, basic safety precautions should always be followed, including the following:

- **READ AND FOLLOW ALL INSTRUCTIONS**
- Disconnect all AC power during installation.
- Warning - To reduce the risk of injury, do not permit children to use this product unless they are closely supervised at all times.
- A green colored terminal marked "Earth Ground" is located inside the wiring compartment. To reduce the risk of electric shock, this terminal must be connected to the grounding means provided in the electric supply service panel with a continuous copper wire equivalent in size to the circuit conductors supplying the equipment.
- **WARNING - Risk of Electric Shock.** Connect only to a grounding type receptacle protected by a ground-fault circuit-interrupter (GFCI). Contact a qualified electrician if you cannot verify that the receptacle is protected by a GFCI.
- Do not bury cord. Locate cord to minimize abuse from lawn mowers, hedge trimmers, and other equipment.
- **WARNING -** To reduce the risk of electric shock, replace damaged cord immediately.
- **WARNING -** To reduce the risk of electric shock, do not use extension cord to connect unit to electric supply; provide a properly located outlet.
- One bonding lug for US models (two for Canadian models) is provided on the external surface. To reduce the risk of electric shock, connect the local common bonding grid in the area of the swimming pool, spa, or hot tub to these terminals with an insulated or bare copper conductor not smaller than 8 AWG US / 6 AWG Canada.
- All field installed metal components such as rails, ladders, drains, or other similar hardware within 3 meters of the pool, spa or hot tub shall be bonded to the equipment grounding bus with copper conductors not smaller than 8 AWG US / 6 AWG Canada.
- **SAVE THESE INSTRUCTIONS**



# HAYWARD®

## Operation

The AquaRite® is an automatic chlorine generation system for pool or spa sanitation. The operation requires a low concentration of salt (sodium chloride) in the pool water. These levels are low enough that it normally will not be tasted. The AquaRite automatically sanitizes your pool by converting the salt into free chlorine which kills bacteria and algae in the pool. Chlorine will revert back to sodium chloride after killing bacteria. These reactions will continuously recycle virtually eliminating the need to add sanitizing chemicals to your pool. The only time you may need to add more salt to the pool is when water is replenished due to backwashing, draining, or splashing (not evaporation).

The AquaRite is offered in three models and is designed to handle the purification needs of most residential swimming pools up to 40,000 gallons (150,000 liters), or the needs of most commercial pools up to 25,000 gallons (95,000 liters). Check local codes for other restrictions. The actual amount of chlorination required to properly sanitize a pool varies due to bather load, rainfall, temperature, and the pool's cleanliness.

**NOTE:** Hayward does not recommend using the AquaRite to generate bromine.

Select the proper model for your pool (installation and mounting requirements are the same for all models):

AQR940-CUL - for pools up to 40,000 gallons, 150,000 liters

AQR925-CUL - for pools up to 25,000 gallons, 95,000 liters

**NOTE:** Before installing this product as part of a saline water purification system in a pool or spa using natural stone for coping or for immediately adjacent patios/decking, a qualified stone installation specialist should be consulted regarding the appropriate type, installation, sealant (if any) and maintenance of stone used around a saline pool with electronic chlorine generator in your particular location and circumstances.

**NOTE:** The use of dry acid (sodium bisulfate) to adjust pool pH is discouraged especially in arid regions where pool water is subject to excessive evaporation and is not commonly diluted with fresh water. Dry acid can cause a buildup of by-products that can damage your chlorinator cell.



## Water Chemistry

The table below summarizes the levels that are recommended by The Association of Pool and Spa Professionals (APSP). The only special requirements for the AquaRite are the salt level and stabilizer. It is important to maintain these levels in order to prevent corrosion or scaling and to ensure maximum enjoyment of the pool. Test your water periodically. Your Authorized AquaRite Dealer or most pool stores can provide you with the chemicals and procedures to adjust the water chemistry. Be sure to tell the pool store that you are using an AquaRite chlorine generator.

CHEMICAL	IDEAL LEVELS
<b>Salt</b>	<b>2700 to 3400 ppm</b>
<b>Free Chlorine</b>	<b>1.0 to 3.0 ppm</b>
<b>pH</b>	<b>7.2 to 7.6</b>
<b>Cyanuric Acid (Stabilizer)</b>	<b>20 to 30 ppm (if necessary)</b>
<b>Total Alkalinity</b>	<b>80 to 120 ppm</b>
<b>Calcium Hardness</b>	<b>125 to 250 ppm</b>
<b>Metals</b>	<b>0 ppm</b>
<b>Saturation Index</b>	<b>-.2 to .2 (0 best)</b>

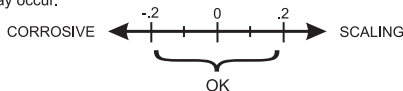
## Saturation index

The saturation index (Si) relates to the calcium and alkalinity in the water and is an indicator of the pool water "balance". Your water is properly balanced if the Si is  $0 \pm .2$ . If the Si is below  $-0.2$ , the water is corrosive and plaster pool walls will be dissolved into the water. If the Si is above  $+0.2$ , scaling and staining will occur. Use the chart below to determine the saturation index.

$$Si = pH + Ti + Ci + Ai - 12.1$$

°C	°F	Ti	Calcium Hardness	Ci	Total Alkalinity	Ai
12	53	.3	75	1.5	75	1.9
			100	1.6	100	2.0
16	60	.4	125	1.7	125	2.1
			150	1.8	150	2.2
19	66	.5	200	1.9	200	2.3
			250	2.0	250	2.4
24	76	.6	300	2.1	300	2.5
			400	2.2	400	2.6
29	84	.7	600	2.4	600	2.8
			800	2.5	800	2.9
34	94	.8				
39	103	.9				

*How to use:* Measure pool pH, temperature, calcium hardness, and total alkalinity. Use the chart above to determine Ti, Ci, and Ai from your measurements. Insert values of pH, Ti, Ci and Ai into the above equation. If Si equals .2 or more, scaling and staining may occur. If Si equals  $-.2$  or less corrosion or irritation may occur.





## Salt Level

Use the chart on page 5 to determine how much salt in pounds or (Kgs) need to be added to reach the recommended levels. Be aware that there may already be salt in your pool from prolonged use of chlorine. Test your pool, then add the correct amount. Use the equations below (measurements are in feet/gallons and meters/liters) if pool size is unknown.

	<b>Gallons</b> (pool size in feet)	<b>Liters</b> (pool size in meters)
<b>Rectangular</b>	Length x Width x Average Depth x 7.5	Length x Width x Average Depth x 1000
<b>Round</b>	Diameter x Diameter x Average Depth x 5.9	Diameter x Diameter x Average Depth x 785
<b>Oval</b>	Length x Width x Average Depth x 6.7	Length x Width x Average Depth x 893

The ideal salt level is between 2700-3400 ppm (parts per million) with 3200 ppm being optimal. If the level is low, determine the number of gallons in the pool and add salt according to the chart on page 5. A low salt level will reduce the efficiency of the AquaRite and result in low chlorine production. A high salt level can cause the AquaRite to shutdown and may begin to give a salty taste to your pool (generally, the salt will begin to be tasted at a level of about 3500-4000 ppm). The salt in your pool/spa is constantly recycled and the loss of salt throughout the swimming season should be small. This loss is due primarily to the addition of water because of splashing, backwashing, or draining (because of rain). Salt is not lost due to evaporation.

## Type of Salt to Use

It is important to use only sodium chloride (NaCl) salt that is greater than 99% pure. This is common food quality or water softener salt and is usually available in 40-80 lb. bags labeled "Coarse Solar Salt". It is also acceptable to use water conditioning salt pellets, however, it will take longer for them to dissolve. Do not use rock salt, salt with yellow prussiate of soda, salt with anti-caking additives, or iodized salt.

## How to Add or Remove Salt

For new plaster pools, wait 10-14 days before adding salt to allow the plaster to cure. Turn the circulating pump on and add salt directly into the pool. Brush the salt around to speed up the dissolving process--do not allow salt to pile up on the bottom of the pool. Run the filter pump for 24 hours with the suction coming from the main drain (use pool vac if there is no main drain) to allow the salt to evenly disperse throughout the pool. The salt display may take 24 hours to respond to the change in salt concentration.

The only way to lower the salt concentration is to partially drain the pool and refill with fresh water.

For outdoor pools, always check stabilizer (cyanuric acid), when checking salt. These levels will most likely decline together. Use the chart on page 6 to determine how much stabilizer must be added to raise the level to 30 ppm.



# HAYWARD®

**POUNDS and (Kg) OF SALT NEEDED FOR 3200 PPM**

Current salt level ppm	Gallons and (Liters) of Pool/Spa water																
	8,000 (30,000)	10,000 (37,500)	12,000 (45,000)	14,000 (52,500)	16,000 (60,000)	18,000 (67,500)	20,000 (75,000)	22,000 (82,500)	24,000 (90,000)	26,000 (97,500)	28,000 (105,000)	30,000 (112,500)	32,000 (120,000)	34,000 (127,500)	36,000 (135,000)	38,000 (142,500)	40,000 (150,000)
<b>0</b>	213 (97)	267 (121)	320 (145)	373 (170)	427 (194)	480 (218)	533 (242)	587 (267)	640 (291)	693 (315)	747 (339)	800 (364)	854 (388)	907 (412)	960 (436)	1013 (460)	1067 (484)
<b>200</b>	200 (91)	250 (114)	300 (136)	350 (159)	400 (182)	450 (205)	500 (227)	550 (250)	600 (273)	650 (295)	700 (318)	750 (341)	800 (363)	850 (385)	900 (408)	950 (430)	1000 (453)
<b>400</b>	187 (85)	233 (106)	280 (127)	327 (148)	373 (170)	420 (191)	467 (212)	513 (233)	560 (255)	607 (276)	653 (297)	700 (318)	747 (339)	793 (360)	840 (382)	887 (403)	933 (424)
<b>600</b>	173 (79)	217 (98)	260 (118)	303 (138)	347 (158)	390 (177)	433 (197)	477 (217)	520 (236)	563 (256)	607 (276)	650 (297)	693 (317)	737 (337)	780 (358)	823 (378)	867 (398)
<b>800</b>	160 (73)	200 (91)	240 (109)	280 (127)	320 (145)	360 (164)	400 (182)	440 (200)	480 (218)	520 (236)	560 (255)	600 (273)	640 (291)	680 (310)	720 (328)	760 (346)	800 (364)
<b>1000</b>	147 (67)	183 (83)	220 (100)	257 (117)	293 (133)	330 (150)	367 (167)	403 (183)	440 (200)	477 (217)	513 (233)	550 (250)	587 (267)	623 (284)	660 (300)	697 (317)	733 (333)
<b>1200</b>	133 (61)	167 (76)	200 (91)	233 (106)	267 (121)	300 (136)	333 (152)	367 (167)	400 (182)	433 (197)	467 (212)	500 (227)	533 (243)	567 (258)	600 (274)	633 (289)	667 (304)
<b>1400</b>	120 (55)	150 (68)	180 (82)	210 (95)	240 (109)	270 (123)	300 (138)	330 (150)	360 (164)	390 (177)	420 (191)	450 (205)	480 (218)	510 (232)	540 (246)	570 (260)	600 (263)
<b>1600</b>	107 (48)	133 (55)	160 (73)	187 (85)	213 (97)	240 (109)	267 (121)	293 (133)	320 (145)	347 (158)	373 (170)	400 (182)	427 (195)	453 (207)	480 (219)	507 (231)	533 (243)
<b>1800</b>	93 (42)	117 (53)	140 (64)	163 (74)	187 (85)	210 (95)	233 (106)	257 (117)	280 (127)	303 (138)	327 (148)	350 (159)	373 (169)	397 (180)	420 (190)	443 (201)	467 (211)
<b>2000</b>	80 (36)	100 (45)	120 (55)	140 (64)	160 (73)	180 (82)	200 (91)	220 (100)	240 (109)	260 (118)	280 (127)	300 (136)	320 (145)	340 (154)	360 (163)	380 (172)	400 (181)
<b>2200</b>	67 (30)	83 (38)	100 (45)	117 (53)	133 (61)	150 (68)	167 (76)	183 (83)	200 (91)	217 (98)	233 (106)	250 (114)	267 (121)	283 (129)	300 (144)	317 (152)	333 (159)
<b>2400</b>	53 (24)	67 (30)	80 (36)	93 (42)	107 (48)	120 (55)	133 (61)	147 (67)	160 (73)	173 (79)	187 (85)	200 (91)	213 (98)	227 (104)	240 (110)	253 (117)	267 (123)
<b>2600</b>	40 (18)	50 (23)	60 (27)	70 (32)	80 (36)	90 (41)	100 (45)	110 (50)	120 (55)	130 (59)	140 (64)	150 (68)	160 (73)	170 (81)	180 (86)	190 (90)	200 (96)
<b>2800</b>	27 (12)	33 (15)	40 (18)	47 (21)	53 (24)	60 (27)	67 (30)	73 (33)	80 (36)	87 (39)	93 (42)	100 (45)	107 (48)	113 (51)	120 (54)	127 (57)	133 (60)
<b>3000</b>	13 (6)	17 (8)	20 (9)	23 (11)	27 (12)	30 (14)	33 (15)	37 (17)	40 (18)	43 (20)	47 (21)	50 (23)	53 (24)	57 (26)	60 (27)	63 (29)	67 (30)
<b>3200</b>	Ideal	Ideal	Ideal	Ideal	Ideal	Ideal	Ideal	Ideal	Ideal	Ideal	Ideal	Ideal	Ideal	Ideal	Ideal	Ideal	Ideal
<b>3400</b>	OK	OK	OK	OK	OK	OK	OK	OK	OK	OK	OK	OK	OK	OK	OK	OK	OK
<b>3600+</b>	Dilute	Dilute	Dilute	Dilute	Dilute	Dilute	Dilute	Dilute	Dilute	Dilute	Dilute	Dilute	Dilute	Dilute	Dilute	Dilute	Dilute



# HAYWARD®

**POUNDS and (Kg) OF STABILIZER (CYANURIC ACID) NEEDED FOR 30 PPM**

Current Stabilizer Level (ppm)	Gallons and (Liters) of Pool/Spa water																
	8,000 (30000)	10,000 (37500)	12,000 (45000)	14,000 (52500)	16,000 (60000)	18,000 (67500)	20,000 (75000)	22,000 (82500)	24,000 (90000)	26,000 (97500)	28,000 (105000)	30,000 (112500)	32,000 (120000)	34,000 (127500)	36,000 (135000)	38,000 (142500)	40,000 (150000)
<b>0 ppm</b>	2.0 (.9)	2.5 (1.1)	3.0 (1.3)	3.5 (1.5)	4.0 (1.8)	4.5 (2.0)	5.0 (2.2)	5.5 (2.4)	6.0 (2.7)	6.5 (2.9)	7.0 (3.1)	7.5 (3.3)	8.0 (3.6)	8.5 (3.8)	9.0 (4.0)	9.5 (4.3)	10.0 (4.5)
<b>10 ppm</b>	1.8 (.8)	2.2 (1.0)	2.6 (1.2)	3.0 (1.3)	3.4 (1.5)	3.8 (1.7)	4.3 (2.0)	4.8 (2.2)	5.3 (2.4)	5.7 (2.6)	6.1 (2.8)	6.5 (2.9)	6.9 (3.1)	7.3 (3.3)	7.7 (3.5)	8.2 (3.7)	8.7 (4.0)
<b>20 ppm</b>	1.5 (.7)	1.9 (.9)	2.3 (1.0)	2.6 (1.2)	3.0 (1.4)	3.3 (1.5)	3.8 (1.7)	4.1 (1.8)	4.5 (2.0)	4.9 (2.2)	5.3 (2.4)	5.6 (2.5)	6.0 (2.7)	6.4 (2.9)	6.8 (3.1)	7.2 (3.3)	7.5 (3.4)



# HAYWARD®

## Controls

### Main Switch

**AUTO:** For normal operation, the Main Switch should be left in the AUTO position. In this position the AquaRite will produce chlorine according to the "Desired Output %" adjustment setting for the entire filtering/pumping cycle.

**SUPER CHLORINATE:** When you have an abnormally high bather load, a large amount of rain, a cloudy water condition, or any other condition which needs a large amount of purification to be introduced, put the Main Switch in the SUPER CHLORINATE position. This electronically "super chlorinates" (shocks) the water for 24 hours (filter pump must be on during this time) or until the power has been turned off, whichever comes first. At the end of the super chlorinate time, be sure to put the switch back into the AUTO position.

**OFF:** The OFF position prevents the AquaRite from energizing the electrolytic cell. In this position there is no chlorine generation. NOTE: To service any of the pool equipment or the AquaRite, turn the power off at the circuit breaker.

### Indicator LED's

**POWER** When illuminated, the AquaRite has input power.

**GENERATING** This LED is on steady during normal operation. When flashing, the pool water is too hot or cold to operate.

**SUPER CHLORINATE** Illuminates during super-chlorination. See description above.

**REMOTELY CONTROLLED** When illuminated, indicates that a remote pool automation control (Hayward Pro Logic, Pentair Intellitouch, Polaris Eos, etc.) is controlling the AquaRite--the main switch and "Desired Output %" adjustment are inactive. When flashing, the Pro Logic, Intellitouch or Eos is in SERVICE or TIME-OUT mode and the Main Switch and "Desired Output %" adjustment are active.

**NO FLOW** When illuminated, the flow switch has detected no water flowing and the AquaRite has stopped generating chlorine. A flashing LED indicates a 15-60 second time delay period.

**CHECK SALT** When flashing, the salt level is low (below 2700 ppm) and AquaRite is generating at low efficiency. When illuminated steady, the salt level is too low and AquaRite has shut down. Before adding large quantities of salt, it is advisable to have your salt level professionally checked.

**HIGH SALT** When illuminated, the salt level is too high and AquaRite has shut down.

**INSPECT CELL** A flashing indicator signifies that either the cell efficiency is reduced or that it is time for regularly scheduled cell inspection. In either case, inspect cell and clean if necessary. When illuminated steady, cell efficiency is greatly reduced and the AquaRite has stopped producing chlorine. Inspect, clean or replace if necessary.





# HAYWARD®

## To Set Turbo Cell Type

Before operation, the AquaRite must be configured for the chlorinator cell that will be used. Your model AquaRite has been packaged with a corresponding Turbo cell. Refer to the following information and steps below to set the Turbo cell type.

- "t-3" = if using a T-CELL-3, GLX-CELL-3-W
- "t-9" = if using a T-CELL-9, GLX-CELL-9-W, TCELL925-CUL
- "t-15" = if using a T-CELL-15, GLX-CELL-15-W, TCELL940-CUL
- "t-5" = if using a GLX-CELL-5, GLX-CELL-5-W

1. Slide the Main Switch from "Off" to the "Auto" position.
2. Push the Diagnostic button repeatedly until "t-3", "t-5", "t-9" or "t-15" appears on the display ("t-15" is the factory default). If the desired cell type is displayed skip to step 4.
3. To change to a different cell type, slide the Main Switch from "Auto" to "Super Chlorinate" and back to "Auto". Repeat this process until the desired cell type is displayed.
4. Push the Diagnostic button to exit.

## Desired Output %" adjustment knob

The "Desired Output %" adjustment knob is located in the lower center of the AquaRite control panel. This setting is used to control the amount of chlorine the AquaRite generates. Raise this setting to increase chlorine level and lower it to decrease chlorine level. Note: The "Desired Output %" adjustment will not function when the AquaRite is being controlled by a remote pool automation control.

## Salt Display

Refer to the Water Chemistry section for recommended salt levels as well as how to add/remove salt. The Salt Display shows the average salt level of the pool water. The factory default display is in English units (ppm). If Metric units (grams per liter) are preferred, follow the procedure under Temperature Display. When the Aqua Rite is displaying grams per liter, the readout will show a decimal point. (ex. 3.2 g/l = 3200ppm).

## Temperature Display

The Temperature Display shows the current temperature of the pool water. The factory default display is in °F. Both the Temperature Display and the Salt Display can be programmed to display in Metric units. To display temperature in °C and salt level in g/l, perform the following steps:

1. Slide the Main Switch from "Off" to the "Auto" position.
2. Push the Diagnostic button repeatedly until "°F" appears on the display.
3. Slide the Main Switch from "Auto" to "Super Chlorinate" and back to "Auto".
4. Push the Diagnostic button to exit.

## Instant Salinity

The Instant Salinity display is the measured salt level of the pool water at that moment. If salt has recently been added, the Instant Salinity may show the change while the Salt Display (average salt level) may take some time before the changes can be seen. Under these circumstances, you may



# HAYWARD®

want to "update" the Salt Display to the new Instant Salinity value. This action will clear the Salt Display and substitute the Instant Salinity value. To do this, follow the steps below:

1. Slide the Main Switch from "Off" to the "Auto" position.
2. Push the Diagnostic button repeatedly until "-xxx ppm" appears on the display.
3. Slide the Main Switch from "Auto" to "Super Chlorinate" and back to "Auto".
4. Push the Diagnostic button to exit.

## Operation

Assuming that the water chemical levels are in the recommended range, there are three factors that you can control which directly contribute to the amount of chlorine the AquaRite will generate:

1. filter time each day (hours)
2. the "Desired Output %" setting
3. the amount of salt in the pool

The filter pump timer should be set so that all of the water in the pool passes through the filter each day. For pools with high chlorine demand, the timer may have to be set longer to generate enough chlorine.

To find the optimum "Desired Output %" setting, start at approximately 50%. Test the chlorine level every few days and adjust the dial up or down accordingly. It usually takes 2-3 adjustments to find the ideal setting for your pool/spa and after that, it should only take minor, infrequent adjustments. Because the chlorine demand of the pool increases with temperature, most people find they have to adjust the dial up at the peak of the summer and down during the colder periods. The AquaRite automatically stops generating when the pool water temperatures drops below 50°F. This is usually not a problem because bacteria and algae stop growing at this temperature. You can override this low temperature cutoff by switching to SUPER CHLORINATE for a day.

**NOTE:** After the ideal "Desired Output %" setting has been found, you may need to raise the setting when the pool water temperature increases significantly, when there is higher than normal bather load or when your chlorinator cell ages. You may need to lower the setting when the pool water temperature decreases significantly or there are long periods of inactivity.

Prevent over-chlorination during cold weather: Check chlorine levels periodically. Most pools require less chlorine during cold weather and the "Desired Output %" should be lowered accordingly.

When connected to a pool automation control (Hayward Pro Logic, Pentair Intellitouch or Polarix Eos): The AquaRite is designed to operate with all pool automation controls. The Pro Logic, Intellitouch or Eos can fully control the function of the AquaRite chlorinator in addition to the other pool equipment. The "Remotely Controlled" LED on the AquaRite chlorinator will be illuminated when the automation control is activated. Adjustment of the AquaRite "Desired Output %" and also Superchlorination can be controlled from the pool automation display/keypad. Refer to the pool automation control instructions for more information. The AquaRite salt display and LED indicators operate as normal, but the main switch and "Desired Output %" dial are disabled.



# HAYWARD®

## Maintaining the AquaRite System

To maintain maximum performance, it is recommended that you open and visually inspect the cell every 3 months or after cleaning your filter. The AquaRite will remind you to do this by flashing the "Inspect Cell" LED after approximately 500 hours of operation. After you inspect the cell (and clean, if necessary) press the small "diagnostic" button next to the display for 3 seconds to stop the flashing "Inspect Cell" LED and start the timer for the next 500 hours.

The AquaRite electrolytic cell has a self cleaning feature incorporated into the electronic control's logic. In most cases this self cleaning action will keep the cell working at optimum efficiency. In areas where water is hard (high mineral content) and in pools where the water chemistry has been allowed to get "out of balance", the cell may require periodic cleaning. The "Inspect Cell" LED will indicate if cell efficiency is decreased and servicing is necessary. If the "Inspect Cell" LED remains on after a thorough cleaning, the cell may be worn and require replacement.

## Servicing and Cleaning the AquaRite cell

Turn off power to the AquaRite before removing the electrolytic cell. Once removed, look inside the cell and inspect for scale formation (light colored crusty or flaky deposits) on the plates and for any debris which has passed through the filter and caught on the plates. If no deposits are visible, reinstall. If deposits are seen, use a high pressure garden hose and try to flush the scale off. If this is not successful, use a plastic or wood tool (do not use metal as this will scratch the coating off the plates) and scrape deposits off of plates. Note that a buildup on the cell indicates that there is an unusually high calcium level in the pool (old pool water is usually the cause). If this is not corrected, you may have to periodically clean the cell. The simplest way to avoid this is to bring the pool chemistry to the recommended levels as specified.

**Mild Acid Washing:** Use only in severe cases where flushing and scraping will not remove the majority of deposits. To acid wash, turn off power to AquaRite. Remove cell from piping. In a clean plastic container, mix a 4:1 solution of water to muriatic acid (one gallon of water to one quart of muriatic acid). ALWAYS ADD ACID TO WATER - NEVER ADD WATER TO ACID. Be sure to wear rubber gloves and appropriate eye protection. The level of the solution in the container should just reach the top of the cell so that the wire harness compartment is NOT submerged. It may be helpful to coil the wiring before immersing the cell. The cell should soak for a few minutes and then rinse with a high pressure garden hose. If any deposits are still visible, repeat soaking and rinsing. Replace cell and inspect again periodically.

## Winterizing

The AquaRite electrolytic cell and flow detection switch will be damaged by freezing water just as your pool plumbing would. In areas of the country which experience severe or extended periods of freezing temperatures, be sure to drain all water from the pump, filter, and supply and return lines before any freezing conditions occur. The electronic control is capable of withstanding any winter weather and should not be removed.

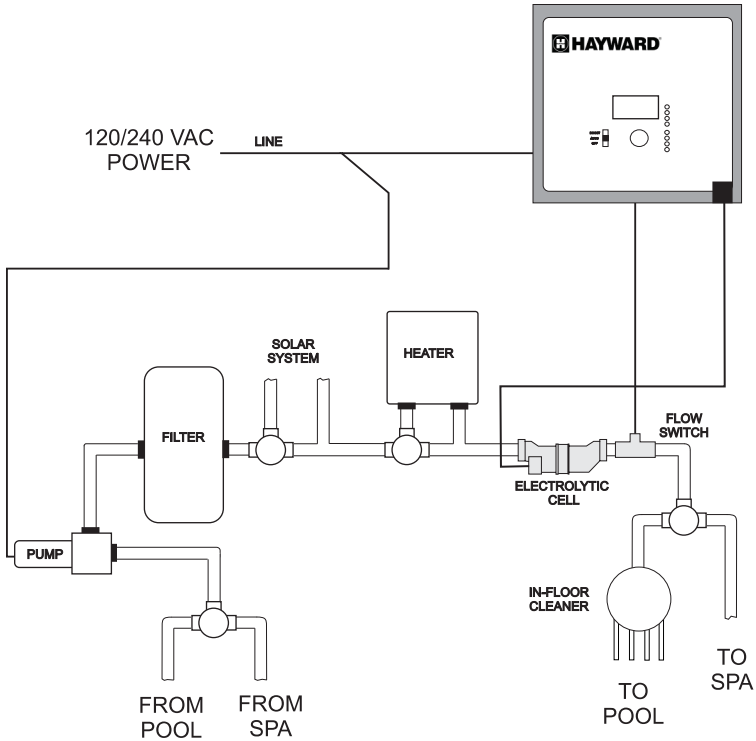
## Spring Start-up

DO NOT turn the AquaRite on, until the pool water chemistry has been brought to the proper levels. This information can be found on page 3.



## Installation

Installation must be performed in accordance with Local and NEC codes.



### Preparing Pool/Spa Water

Refer to page 3 for recommended chemical levels. The pool's chemistry must be balanced BEFORE activating the AquaRite. NOTE: If the pool does not have new water, add 1 quart (1 liter) of metal remover and 1 quart (1 liter) of non-copper based algaecide to the pool, per manufacturer's instructions. This ensures a quick, troublefree transfer to the AquaRite system.

### Mounting the AquaRite Control

The AquaRite is contained in a raintight enclosure that is suitable for outdoor mounting. The control must be mounted a minimum of 5 ft. (2 meters) horizontal distance (or more, if local codes require) from the pool/spa.

The control is designed to mount vertically on a flat surface with the knockouts facing downward. Because the enclosure also acts as a heat sink (disperses heat from inside the box), it is important not to block the four sides of the control. Do not mount AquaRite inside a panel or tight enclosed area.



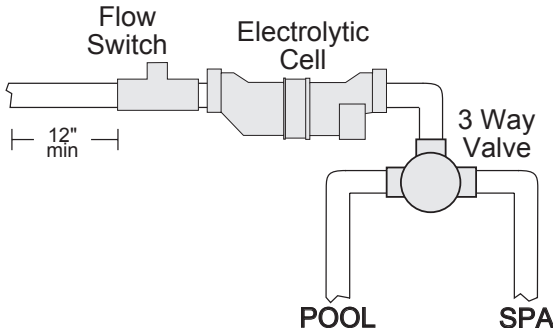
## Plumbing

Ensure that the AquaRite installation does not constitute a cross connection with the local potable water supply. Consult local plumbing codes.

The AquaRite is packaged with a Turbo cell, flow switch and cell unions. Refer to page 2 for information about available AquaRite models.

The flow switch and cell should be plumbed in the return line to the pool/spa. The preferred installation is after (downstream) all the pool equipment (filter, heater, solar, etc.). The electrolytic cell and flow switch tee fitting are designed to be plumbed into 2" (51 mm) PVC pipe. Adapters (not included) can be used for systems with 1½" (38 mm) plumbing.

For proper plumbing, refer to the overview diagram on page 11 and the diagram below.



### Flow Switch:

**IMPORTANT:** There must be at least a 12" (25cm) straight pipe run before (upstream) the flow switch. If the switch is plumbed after the cell, the cell can be counted as the 12" (25cm) of straight pipe. To ensure proper operation, verify that the arrow on the flow switch (located on top of gray hex) points in the direction of water flow.

### Electrolytic Cell:

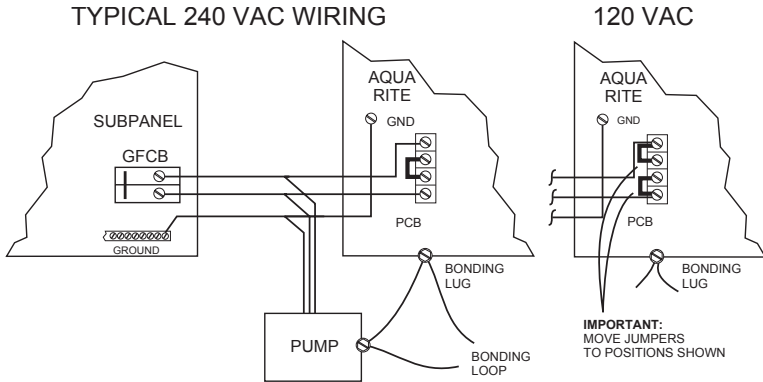
Install using the unions provided. Tighten unions **BY HAND** for a watertight seal. For pool/spa combination systems with spillover, use configurations #2 or #3 above to allow chlorination of both the pool and spa during spillover but preventing overchlorination when operating the spa only.

## Wiring

Power must be shut off at the circuit breaker before performing any wiring. Be sure to follow Local and NEC electrical codes. To provide safe operation, the AquaRite must be properly grounded and bonded.

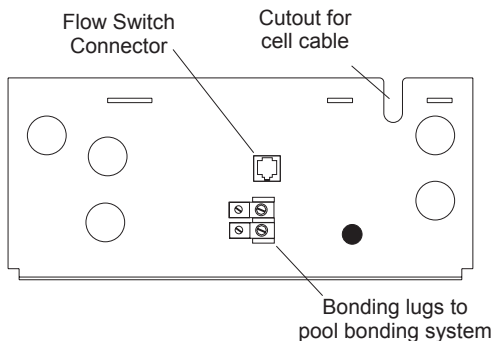
## Input Power For stand alone operation

Refer to the wiring label on the AquaRite as well as the diagram below to determine correct wiring connections. The AquaRite is shipped from the factory with the configuration jumpers in 240VAC position. If using 120VAC, move the jumpers as shown below. For Canadian models, the AquaRite shall be connected to a circuit protected by a class A ground fault interrupter. Be sure to connect the ground wire to the green ground screw terminal located on the bottom of the enclosure.



**Bonding:** Lugs used for bonding are attached to the bottom of the Aqua Rite enclosure. Connect to the pool bonding system using minimum 6AWG copper wire.

**Electrolytic Cell and Flow Switch:** The electrolytic cell and flow switch cables are terminated with connectors which plug into the AquaRite, for easy attachment and removal. The door of the AquaRite must be open to access the cell cable connector. The flow switch plugs into a connector (similar to a telephone jack) located outside, on the bottom of the enclosure. Refer to the diagram below for the location of these connections.

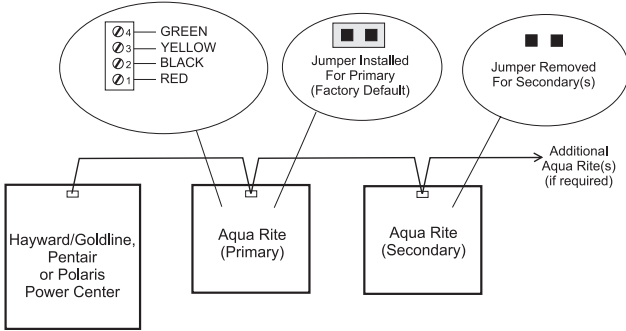




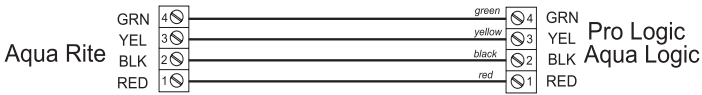
# HAYWARD®

### Optional Hayward, Pentair and Polaris controls:

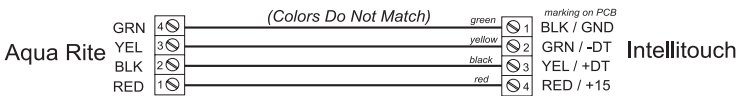
The Hayward, Pentair and Polaris controls use a 4 wire connection to communicate to the AquaRite and can be wired up to 500' apart. Any outdoor rated 4 conductor cable can be used. Refer to each manufacturer's instructions and the wiring diagrams below for proper wiring connection to the AquaRite. NOTE: There must be only 1 "primary" unit. All other AquaRite units must be configured as "secondary".



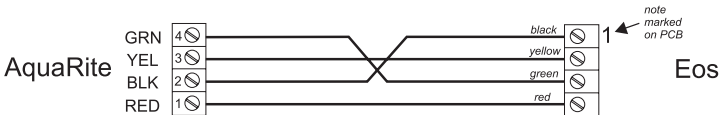
Hayward - Attach wires to proper screw terminals as shown below.



Pentair - Attach wires to opposite numbered screw terminals as shown below. Note that the colors marked on the Pentair PCB do not match the AquaRite.



Polaris - Attach wires to proper screw terminals as shown below. Note that screw terminal "1" is marked on the Polaris PCB.





# HAYWARD®

## Troubleshooting

Visit [www.hayward.com](http://www.hayward.com) for helpful information on operation, maintenance and troubleshooting your AquaRite Electronic Chlorine Generator.

### Diagnostic Displays

Sequential pushes of the small "diagnostic" button next to the LCD display will cause the AquaRite to display the following information:

1. Pool temperature (xx degrees Fahrenheit or Celsius)
2. Cell voltage (xx.x volts)
3. Cell current (x.xx amps)
4. Desired Output % ("0P" -- "100P" depending on knob position or input from remote pool automation controller)
5. Instant salinity ( -xxxx ppm or -x.xx grams/Liter)
6. Product name sent to the pool automation control display ("AL-0" which signifies "AquaRite")
7. Software revision level (r1.xx)
8. Chlorinator cell type (t-3, t-5, t-9, t-15)

On the 9th push of the button the display will revert back to the default salt display. Also, if the button is not pushed for 30 seconds, the display will revert back to the standard salt display.

### Common Problems and Solutions

#### 1. "Power" LED not on

Check to make sure either 120VAC or 240VAC input power is connected to the proper screw terminals at the AquaRite control. Verify input voltage with a voltmeter. If there is input power, the fuse may have blown. The AquaRite is protected by a 20 amp mini ATO fuse located on the circuit board above the cell connector.

#### 2. "Generating" LED flashing

The temperature of the pool water is too high or low to operate. You can override this by switching the main switch to SUPER CHLORINATE. The AquaRite will run at maximum output for the remainder of the current pump cycle or 24 hours, whichever comes first.

#### 3. "No Flow" LED illuminated

The AquaRite has sensed a no flow condition and has stopped generating chlorine. Check that the flow switch is plugged into the connector on the bottom of the control unit and that the wire is not cut or damaged. Make sure you have at least 12" of straight pipe before the flow switch. If there is adequate flow and the LED is still on, check that the arrows on the flow switch (on top of hex) are pointing in the direction of flow.

#### 4. "Check Salt" LED illuminated or flashing

Be sure that the correct model Turbo Cell has been selected (page 8).

Check salt level in pool/spa. If salt level is low, add salt according to chart on page 5. Before adding large quantities of salt, it is advisable to have your salt level professionally checked.





# HAYWARD®

## 5. "High Salt" LED illuminated

Be sure that the correct model Turbo Cell has been selected (page 8).

Check salt level in pool/spa. If salt level is too high, lower salt level by draining some of the pool water out of the pool and replace with fresh water. Continue until the salt concentration is at recommended levels.

## 6. "Inspect Cell" LED flashing

Be sure that the correct model Turbo Cell has been selected (page 8).

Inspect and clean cell according to directions on page 10. When done, press the "diagnostic" button for 3 seconds to stop the "Inspect Cell" LED flashing.

## 7. "Inspect Cell" LED illuminated

Be sure that the correct model Turbo Cell has been selected (page 8).

Remove and inspect the cell for scale. If the cell is scaled, follow the directions on page 10 for cell cleaning. If the pool has the proper amount of salt and the "Inspect Cell" LED is still illuminated, the cell may be worn and need replacement.

## 8. Possible causes of little or no free chlorine residual

- AquaRite switch in OFF position.
- Desired Output % adjustment setting is too low.
- Low stabilizer (Cyanuric Acid).
- Filter pump time too short (8 hours for average size pools, more for large pools)
- Salt level too low (below 2400 ppm, Check Salt LED on).
- Salt level too high (High Salt LED on).
- Very warm pools increase chlorine demand--increase Output %, or filter run time.
- Cold water (below 50°F) causes AquaRite to stop generating (Generating LED flashing).
- Excessive scaling on cell.
- High level of Nitrogen in pool water.
- "Yellow Out" or similar treatment recently used. Some yellow algae treatments will use chlorine at a very high rate and deplete the residual free chlorine. Manually shock the pool if indicated in the directions on the algae treatment. It still may be a matter of days before the pool returns to "normal" and chlorine tests will show the desired 1-3ppm free chlorine reading.

## 9. "-Pcb-" displayed and all 4 red/yellow LEDs are illuminated.

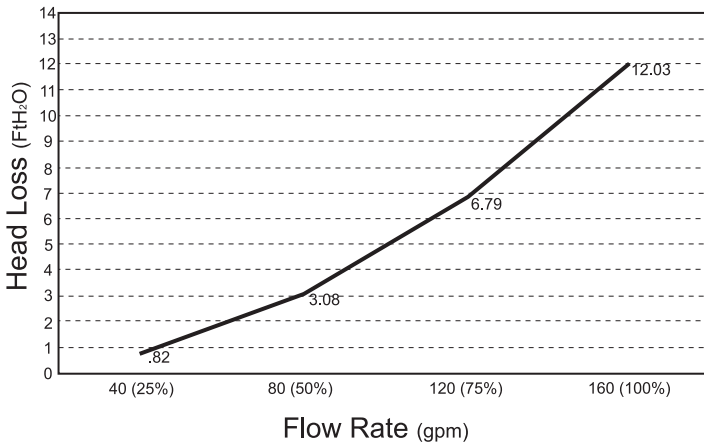
A possible Printed Circuit Board fault has been detected. Call for service.



## ELECTROLYTIC CHLORINE GENERATOR BASIC POOL MAINTENANCE REQUIREMENTS

	TEST	IDEAL RANGE	ADJUSTMENT REQUIRED
WEEKLY	Free Chlorine	1.0 - 3.0 ppm	Raise desired output % to increase, lower desired output % to decrease -OR- increase or decrease pump filtration time.
	pH	7.2 - 7.6	Too high - add muriatic acid Too low - add soda ash.
MONTHLY	Alkalinity	80 - 120 ppm	Add baking soda to increase. Add acid as required to decrease.
	Salt	2700 - 3400 ppm	Add salt as required to increase.
QUARTTERLY	Stabilizer	20 - 30 ppm	Add cyanuric acid to increase.
	Calcium	200 - 400 ppm	Add calcium to increase. Drain and add water to decrease.
	Electrolytic Cell	inspect & clean	Refer to section in manual.

### Head Loss Curve





# HAYWARD®

LIMITED WARRANTY (effective 03/01/12) Hayward warrants its AquaRite 900 series chlorination products to be free of defects in materials and workmanship, under normal use and service, for a period of five (5) years. These warranties are applicable from the initial date of purchase on private residential swimming pools in the US and Canada. Installations of product for use on commercial pools in the US and Canada is covered for a period of one (1) year for defects in materials and workmanship. Hayward warrants all accessories and replacement parts for the above-identified pool automation and chlorination products for a period of one (1) year. Accessories also include remotes, actuators, base stations, temperature sensors, flow switches and chemistry probes. Each of these warranties is not transferable and applies only to the original owner.

Hayward shall not be responsible for cartage, removal, repair or installation labor or any other such costs incurred in obtaining warranty replacements or repair.

Proof of purchase is required for warranty service. If written proof of purchase is not provided, the manufacturing date code will be the sole determinant of the date of installation of the product. To obtain warranty service or repair, please contact the place of purchase or the nearest Hayward authorized warranty service center. For more information on authorized service centers please contact the Hayward Technical Service Support Center (61 Whitecap Road, North Kingstown RI, 02852) or visit the Hayward web site at [www.hayward.com](http://www.hayward.com).

#### WARRANTY EXCLUSIONS:

1. Material supplied or workmanship performed by others in process of installation.
2. Damage resulting from improper installation including installation on pools larger than the product rating.
3. Problems resulting from failure to install, operate or maintain the product(s) in accordance with the recommendations contained in the owners manual(s).
4. Problems resulting from failure to maintain pool water chemistry in accordance with the recommendations in the owners manual(s).
5. Problems resulting from tampering, accident, abuse, negligence, unauthorized repairs or alternations, fire, flood, lightning, freezing, external water, degradation of natural stone used in or immediately adjacent to a pool or spa, war or acts of God.
6. Use of a non-genuine Hayward replacement salt chlorination cell on any Hayward automation or chlorination product will void the warranty for that product.

The express limited warranty above constitutes the entire warranty of Hayward Pool Products with respect to its products and is in lieu of all other warranties expressed or implied, including warranties of merchantability or fitness for a particular purpose. In no event shall Hayward Pool products be responsible for any consequential, special or incidental damages of any nature. Some states do not allow a limitation on how long an implied warranty lasts, or the exclusion of incidental or consequential damages, so the above limitation may not apply to you. This warranty gives you specific legal rights, and you may also have other rights, which vary from state to state.



**HAYWARD®**



# HAYWARD®

## AquaRite®

Générateur de chlore électronique

### Guide d'utilisation



#### Contents

Fonctionnement.....	2
Installation.....	11
Dépannage.....	15
Warranty.....	18

AQR940-CUL  
AQR925-CUL

Hayward Pool Products  
620 Division Street, Elizabeth NJ 07207  
[www.hayward.com](http://www.hayward.com)



# HAYWARD®

## **IMPORTANTES CONSIGNES DE SÉCURITÉ**

Observez en tout temps les consignes de sécurité de base, que voici quand vous utilisez cet équipement électrique :

- **LISEZ ET SUIVEZ TOUTES LES INSTRUCTIONS**
- Coupez tous les circuits d'alimentation c.a. pendant l'installation.
- Avertissement : Pour réduire les risques de blessures, ne permettez pas aux enfants d'utiliser ce produit sauf s'ils sont sous surveillance étroite en tout temps.
- Une borne de couleur verte marquée « Earth Ground » (mise à la terre) est située à l'intérieur du compartiment de câblage. Pour réduire les risques de choc électrique, cette borne doit être branchée au dispositif de mise à la terre fourni dans le panneau de distribution électrique avec un fil de cuivre en continu de dimension équivalente au conducteur d'alimentation de l'équipement.
- **AVERTISSEMENT - Risque de choc électrique.** Connectez uniquement à une prise protégée par un disjoncteur différentiel-(GFCI)
- Ne pas enterrer le câble d'alimentation. Mettez-le à l'abri des tondeuses à gazon, des taille-haies et autres équipements.
- **AVERTISSEMENT -** Pour réduire le risque de choc électrique, remplacer immédiatement tout câble endommagé.
- **AVERTISSEMENT -** Pour réduire le risque de choc électrique, ne pas utiliser de rallonge électrique pour brancher l'appareil à une alimentation; prévoir une prise de courant correctement située.
- Une cosse de métallisation est fournie pour les modèles américains (deux pour les modèles canadiens) sur la face extérieure. Pour réduire les risques de choc électrique, branchez la grille locale de métallisation commune dans la zone de la piscine, du spa ou de la cuve thermique à ces bornes avec un conducteur isolé ou en fil de cuivre nu de calibre minimal de 8 AWG US / 6 AWG Canada.
- Les éléments métalliques installés sur le terrain, comme les rails, les échelles, les drains ou autres ferrures semblables, à l'intérieur 3 m de la piscine, du spa ou de la cuve thermique doivent être raccordés au conducteur de terre de l'équipement avec des conducteurs en cuivre de calibre minimal de 8 AWG US / 6 AWG Canada.
- **AVIS À L'UTILISATEUR:** Ce produit antiparasitaire doit être employé strictement selon le mode d'emploi d'un tel produit dans des conditions dangereuse constitue une infraction à la Loi sur les produits antiparasitaires.
- **CONSERVEZ CES INSTRUCTIONS**



# HAYWARD®

## Fonctionnement

Le chlorateur AquaRite® est un système de production automatique de chlore pour l'assainissement des piscines ou des spas. Pour fonctionner, le chlorateur requiert une faible concentration de sel (chlorure de sodium) dans l'eau de la piscine. La concentration de sel requise est si faible que normalement l'eau ne devrait pas goûter salée. Le système AquaRite désinfecte automatiquement votre piscine en transformant le sel en chlore libre qui tue les bactéries et les algues. Le chlore revient à l'état de chlorure de sodium après avoir tué les bactéries. Ces réactions se recyclent continuellement, ce qui permet d'éliminer pratiquement tout besoin d'agents d'assainissement dans votre piscine. La seule fois où vous aurez à ajouter du sel dans la piscine est lors du remplissage pour compenser une perte d'eau suite à un lavage à contre-courant, à un drainage ou à de gros éclaboussements (et non de l'évaporation).

AquaRite est conçu pour répondre aux besoins d'assainissement de la plupart des piscines privées de capacité pouvant aller jusqu'à 40 000 gallons (150 000 litres), ou des piscines commerciales pouvant aller jusqu'à 25 000 gallons (95 000 litres). Vérifiez les codes locaux pour d'autres restrictions. Le niveau actuel de chloration requis pour désinfecter convenablement une piscine varie en fonction du nombre d'utilisateurs, des précipitations, de la température et de la propreté de la piscine.

**REMARQUE : Hayward/Goldline ne recommande pas d'utiliser AquaRite pour générer du brome.**

Choisissez le modèle qui convient à votre piscine (les exigences relatives à l'installation et au montage sont les mêmes pour tous les modèles) :

AQR940-CUL - pour les piscines d'une capacité allant jusqu'à 150 000 litres / 40,000 gallons

AQR925-CUL - pour les piscines d'une capacité allant jusqu'à 95 000 litres / 25,000 gallons

NOTE : Avant de procéder à l'installation de ce produit dans le système de purification d'eau saline pour une piscine ou un spa dont la bordure, ou la terrasse ou le patio immédiat, est faite de pierres naturelles, consulter un spécialiste qualifié en installation de produits de pierres naturelles en ce qui a trait au type, à l'installation, à l'étanchéisation (s'il y a lieu) et à l'entretien des pierres posées autour d'une piscine à eau saline dotée d'un générateur de chlore électronique.

NOTE : L'utilisation d'acide sec (bisulfate de sodium) pour ajuster le pH de la piscine est déconseillée particulièrement dans des régions arides où l'eau de piscine est sujette à une évaporation excessive et n'est pas généralement diluée avec un ajout d'eau. L'acide sec peut endommager la cellule de votre chlorateur.

## Composition chimique de l'eau

La table ci-dessous récapitule les niveaux chimiques recommandés. Les seules conditions spéciales pour l'AquaRite sont le niveau de sel et de stabilisateur. Il est important de maintenir ces niveaux afin d'empêcher la corrosion ou l'entartrage et d'assurer un plaisir maximum de la piscine. Testez votre eau périodiquement. Votre détaillant Hayward/Goldline ou la plupart des magasins de piscine peuvent vous fournir les produits chimiques et les procédures d'ajustement la composition chimique de l'eau. Soyez sûr d'indiquer au magasin de piscine que vous utilisez un générateur de chlore AquaRite.

CHIMIQUE	ÉCART IDÉAL
Sel	2700 to 3400 ppm
Chlore libre	1.0 to 3.0 ppm
pH	7.2 to 7.6
Stabilisant	20 to 30 ppm (si nécessaire)
Alcalinité	80 to 120 ppm
Calcium	125 to 250 ppm
Metals	0 ppm
Saturation Index	-.2 to .2 (0 mieux)

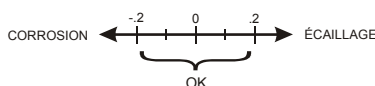
## Indice de saturation

L'indice de saturation (Si) nous renseigne sur la teneur en calcium et le degré d'alcalinité de l'eau; cet indice est un indicateur de « l'équilibre » de l'eau. Votre eau est convenablement équilibrée si le Si est de  $0 \pm 0,2$ . Si le Si est inférieur à  $-0,2$ , l'eau est corrosive et le plâtre des parois de la piscine est susceptible d'être attaqué et de se dissoudre dans l'eau. Si le Si est supérieur à  $+0,2$ , de l'écaillage et de la coloration se produiront. Utilisez le tableau ci-dessous pour déterminer l'indice de saturation.

$$Si = pH + Ti + Ci + Ai - 12.1$$

°C	°F	Ti	Calcium	Ci	Alcalinité	Ai
12	53	.3	75	1.5	75	1.9
16	60	.4	100	1.6	100	2.0
			125	1.7	125	2.1
19	66	.5	150	1.8	150	2.2
			200	1.9	200	2.3
24	76	.6	250	2.0	250	2.4
29	84	.7	300	2.1	300	2.5
			400	2.2	400	2.6
34	94	.8	600	2.4	600	2.8
39	103	.9	800	2.5	800	2.9

Mode d'emploi : Mesurez le pH de l'eau, sa température, sa concentration de calcium et son alcalinité. À l'aide du tableau, trouvez les indices de température, de calcium et d'alcalinité à partir de vos mesures. Introduire vos valeurs dans l'équation. Si l'indice de saturation est supérieur à 0,2, il y a danger d'incrustations et de décoloration. Un indice de  $-0,2$  ou moins signalé que l'eau est corrosive est qu'elle pourrait provoquer l'irritation de la peau.



## Concentration en sel

Utilisez le tableau à la page 5 pour déterminer la quantité de sel (en livres ou en kg) qu'il faut ajouter pour obtenir la concentration recommandée. Soyez conscient qu'il pourrait déjà y avoir du sel dans votre piscine due à l'utilisation prolongée de chlore. Mesurez d'abord la teneur en sel de l'eau de votre



piscine et ensuite ajoutez la quantité de sel nécessaire. Utilisez les formules que voici (les mesures sont en pieds/gallons et en mètres/litres) si vous ne connaissez pas les dimensions de la piscine.

	<b>Gallons</b> (dimensions de la piscine en pieds)	<b>Litres</b> (dimensions de la piscine en mètres)
<b>Rectangulaire</b>	Longueur x largeur x Profondeur moyenne x 7,5	Longueur x largeur x Profondeur moyenne x 1000
<b>Ronde</b>	Diamètre x diamètre x profondeur moyenne x 5,9	Diamètre x diamètre x profondeur moyenne x 785
<b>Ovale</b>	Longueur x largeur x Profondeur moyenne x 6,7	Longueur x largeur x Profondeur moyenne x 893

La concentration idéale de sel se situe entre 2 700 et 3 400 ppm (parties par million), avec 3 200 ppm étant la concentration optimale. Si cette concentration est faible, déterminez le nombre de gallons d'eau contenus dans la piscine et ajoutez la quantité de sel nécessaire, en vous référant au tableau de la page 5. Une faible concentration de sel diminuera l'efficacité du système AquaRite et résultera en une production insuffisante de chlore. Une concentration de sel trop élevée peut causer une panne du système AquaRite et peut donner un goût salé à l'eau de votre piscine (on commence généralement à goûter le sel à des concentrations d'environ 3 500 à 4 000 ppm). Le sel dissous dans votre piscine/spa est recyclé continuellement; ainsi, la perte de sel au cours de la saison de natation est minimale. Cette perte résulte principalement de l'ajout d'eau nécessité par l'éclaboussement, le lavage à contre-courant ou le drainage de la piscine (à cause de la pluie). Le sel ne se perd pas lorsque l'eau s'évapore.

## Type de sel à utiliser

Il est important de n'utiliser que du chlorure de sodium (NaCl) dont la pureté est supérieure à 99 %. Il s'agit de sel de qualité alimentaire ou de sel adoucisseur d'eau qui est habituellement offert en sacs de 18 à 36 kg (40 à 80 lb) étiquetés « gros sel marin ». On peut également utiliser du sel pour conditionneurs d'eau en pastilles, mais celles-ci prennent plus de temps à se dissoudre. Ne pas employer de sel gemme, de sel contenant du prussiate jaune de sodium, de sel contenant des additifs anti-agglomérants, ni de sel iodé.

## Comment ajouter ou enlever le sel

Pour les piscines à plâtre neuves, permettez au plâtre de durcir pendant 10 à 14 jours avant d'ajouter le sel. Mettez la pompe de circulation en marche et ajoutez le sel directement dans la piscine. Remuez pour accélérer le processus de dissolution - ne permettez pas au sel de s'accumuler dans le fond de la piscine. Faites fonctionner la pompe de filtration pendant 24 heures en actionnant l'aspirateur du drain principal pour permettre au sel de se disperser uniformément dans toute la piscine (utilisez un aspirateur de piscine s'il n'y a pas de drain principal). Après un changement, l'appareil peut prendre jusqu'à 24 heures pour ajuster l'affichage de la nouvelle concentration de sel.

La seule façon de faire baisser la concentration de sel est de drainer partiellement la piscine et de la remplir à nouveau avec de l'eau fraîche.

Dans le cas de piscines extérieures, mesurez toujours la teneur en stabilisateur (acide cyanurique) en même temps que la teneur en sel. N'oubliez pas de vérifier aussi la concentration de stabilisant (acide cyanurique) chaque fois que vous vérifiez la concentration de sel. Ces deux concentrations tendent à baisser ensemble. Utilisez le tableau à la page 6 pour déterminer la quantité de stabilisant qu'il faut ajouter pour porter la concentration à 30 ppm.



# HAYWARD®

## LIVRES et (kg) DE SEL REQUIS POUR OBTENIR 3 200 PPM

Concentration actuelle de sel ppm	Gallons et (litres) d'eau de piscine et de spa																
	8,000 (30,000)	10,000 (37,500)	12,000 (45,000)	14,000 (52,500)	16,000 (60,000)	18,000 (67,500)	20,000 (75,000)	22,000 (82,500)	24,000 (90,000)	26,000 (97,500)	28,000 (105,000)	30,000 (112,500)	32,000 (120,000)	34,000 (127,500)	36,000 (135,000)	38,000 (142,500)	40,000 (150,000)
<b>0</b>	213 (97)	267 (121)	320 (145)	373 (170)	427 (194)	480 (218)	533 (242)	587 (267)	640 (291)	693 (315)	747 (339)	800 (364)	854 (388)	907 (412)	960 (436)	1013 (460)	1067 (484)
<b>200</b>	200 (91)	250 (114)	300 (136)	350 (159)	400 (182)	450 (205)	500 (227)	550 (250)	600 (273)	650 (295)	700 (318)	750 (341)	800 (363)	850 (385)	900 (408)	950 (430)	1000 (453)
<b>400</b>	187 (85)	233 (106)	280 (127)	327 (148)	373 (170)	420 (191)	467 (212)	513 (233)	560 (255)	607 (276)	653 (297)	700 (318)	747 (339)	793 (360)	840 (382)	887 (403)	933 (424)
<b>600</b>	173 (79)	217 (98)	260 (118)	303 (138)	347 (158)	390 (177)	433 (197)	477 (217)	520 (236)	563 (256)	607 (276)	650 (297)	693 (317)	737 (337)	780 (358)	823 (378)	867 (398)
<b>800</b>	160 (73)	200 (91)	240 (109)	280 (127)	320 (145)	360 (164)	400 (182)	440 (200)	480 (218)	520 (236)	560 (255)	600 (273)	640 (291)	680 (310)	720 (328)	760 (346)	800 (364)
<b>1000</b>	147 (67)	183 (83)	220 (100)	257 (117)	293 (133)	330 (150)	367 (167)	403 (183)	440 (200)	477 (217)	513 (233)	550 (250)	587 (267)	623 (283)	660 (300)	697 (317)	733 (333)
<b>1200</b>	133 (61)	167 (76)	200 (91)	233 (106)	267 (121)	300 (136)	333 (152)	367 (167)	400 (182)	433 (197)	467 (212)	500 (227)	533 (243)	567 (258)	600 (274)	633 (289)	667 (304)
<b>1400</b>	120 (55)	150 (68)	180 (82)	210 (95)	240 (109)	270 (123)	300 (136)	330 (150)	360 (164)	390 (177)	420 (191)	450 (205)	480 (218)	510 (232)	540 (246)	570 (259)	600 (283)
<b>1600</b>	107 (48)	133 (61)	160 (73)	187 (85)	213 (97)	240 (109)	267 (121)	293 (133)	320 (145)	347 (158)	373 (170)	400 (182)	427 (195)	453 (207)	480 (219)	507 (231)	533 (243)
<b>1800</b>	93 (42)	117 (53)	140 (64)	163 (74)	187 (85)	210 (95)	233 (106)	257 (117)	280 (127)	303 (138)	327 (148)	350 (159)	373 (169)	397 (180)	420 (190)	443 (201)	467 (211)
<b>2000</b>	80 (36)	100 (45)	120 (55)	140 (64)	160 (73)	180 (82)	200 (91)	220 (100)	240 (109)	260 (118)	280 (127)	300 (136)	320 (145)	340 (154)	360 (163)	380 (172)	400 (181)
<b>2200</b>	67 (30)	83 (38)	100 (45)	117 (53)	133 (61)	150 (68)	167 (76)	183 (83)	200 (91)	217 (98)	233 (106)	250 (114)	267 (121)	283 (129)	300 (137)	317 (144)	333 (152)
<b>2400</b>	53 (24)	67 (30)	80 (36)	93 (42)	107 (48)	120 (55)	133 (61)	147 (67)	160 (73)	173 (79)	187 (85)	200 (91)	213 (98)	227 (104)	240 (110)	253 (117)	267 (123)
<b>2600</b>	40 (18)	50 (23)	60 (27)	70 (32)	80 (36)	90 (41)	100 (45)	110 (50)	120 (55)	130 (59)	140 (64)	150 (68)	160 (73)	170 (77)	180 (81)	190 (86)	200 (90)
<b>2800</b>	27 (12)	33 (15)	40 (18)	47 (21)	53 (24)	60 (27)	67 (30)	73 (33)	80 (36)	87 (39)	93 (42)	100 (45)	107 (48)	113 (51)	120 (54)	127 (57)	133 (60)
<b>3000</b>	13 (6)	17 (8)	20 (9)	23 (11)	27 (12)	30 (14)	33 (15)	37 (17)	40 (18)	43 (20)	47 (21)	50 (23)	53 (24)	57 (26)	60 (27)	63 (29)	67 (30)
<b>3200</b>	Idéal	Idéal	Idéal	Idéal	Idéal	Idéal	Idéal	Idéal	Idéal	Idéal	Idéal	Idéal	Idéal	Idéal	Idéal	Idéal	Idéal
<b>3400</b>	OK	OK	OK	OK	OK	OK	OK	OK	OK	OK	OK	OK	OK	OK	OK	OK	OK
<b>3600+</b>	Dilué	Dilué	Dilué	Dilué	Dilué	Dilué	Dilué	Dilué	Dilué	Dilué	Dilué	Dilué	Dilué	Dilué	Dilué	Dilué	Dilué



# HAYWARD®

**LIVRES et (kg) DE STABILISANT (ACIDE CYANURIQUE) REQUIS POUR OBTENIR 30 PPM**

Concentration actuelle de stabilisant (ppm)	Gallons et (litres) d'eau de piscine et de spa																
	8,000 (30000)	10,000 (37500)	12,000 (45000)	14,000 (52500)	16,000 (60000)	18,000 (67500)	20,000 (75000)	22,000 (82500)	24,000 (90000)	26,000 (97500)	28,000 (105000)	30,000 (112500)	32,000 (120000)	34,000 (127500)	36,000 (135000)	38,000 (142500)	40,000 (150000)
<b>0 ppm</b>	2.0 (.9)	2.5 (1.1)	3.0 (1.3)	3.5 (1.5)	4.0 (1.8)	4.5 (2.0)	5.0 (2.2)	5.5 (2.4)	6.0 (2.7)	6.5 (2.9)	7.0 (3.1)	7.5 (3.3)	8.0 (3.6)	8.5 (3.8)	9.0 (4.0)	9.5 (4.3)	10.0 (4.5)
<b>10 ppm</b>	1.8 (.8)	2.2 (1.0)	2.6 (1.2)	3.0 (1.3)	3.4 (1.5)	3.8 (1.7)	4.3 (2.0)	4.8 (2.2)	5.3 (2.4)	5.7 (2.6)	6.1 (2.8)	6.5 (2.9)	6.9 (3.1)	7.3 (3.3)	7.7 (3.5)	8.2 (3.7)	8.7 (4.0)
<b>20 ppm</b>	1.5 (.7)	1.9 (.9)	2.3 (1.0)	2.6 (1.2)	3.0 (1.4)	3.3 (1.5)	3.8 (1.7)	4.1 (1.8)	4.5 (2.0)	4.9 (2.2)	5.3 (2.4)	5.6 (2.5)	6.0 (2.7)	6.4 (2.9)	6.8 (3.1)	7.2 (3.3)	7.5 (3.4)



# HAYWARD®

## Commandes

### Interrupteur principal

**AUTO:** pour le fonctionnement normal, laissez l'interrupteur principal à la position AUTO. Avec l'interrupteur dans cette position, AquaRite produira le chlore selon « débit désiré » réglé pour le cycle filtrage/pompage entier.

**SUPER CHLORATION:** lorsque la piscine traverse une période de fort usage, de précipitations abondantes, d'eau trouble ou de toute autre condition nécessitant une purification intensive, mettez l'interrupteur principal à la position SUPER CHLORATION. Cela initiera une « super chloration » électrolytique, où l'eau subit un traitement de choc pendant 24 heures ou jusqu'à ce qu'on coupe le courant, le premier des deux prévalant (la pompe de filtrage doit être en marche pendant cette période). À la fin de la période d'hyper-chloration, n'oubliez pas de remettre l'interrupteur à la position AUTO.

**ARRÊT:** le réglage à la position ARRÊT empêche le système AquaRite d'activer la cellule électrolytique. Avec le réglage dans cette position, il n'y a pas de production de chlore. REMARQUE : avant de procéder à l'entretien de l'équipement de piscine ou du système AquaRite, coupez le courant au niveau du disjoncteur.

### Voyants DEL

**ALIMENTATION** - Quand ce voyant s'allume, le système AquaRite est sous tension.

**GÉNÉRATION** - Ce voyant DEL s'allume d'un feu continu quand le chlorateur fonctionne normalement. Il clignote pour indiquer que l'eau de la piscine est trop chaude ou trop froide pour permettre au système de fonctionner convenablement.

**SUPER CHLORATION** - Ce voyant DEL s'allume lorsque le mode d'hyper chloration est activé. Voir la description ci-dessus.

### Contrôle À Distance

Lorsqu'il est allumé, ce voyant indique qu'un dispositif de commande automatique (Hayward/Gold-line Pro Logic, Pentair Intellitouch, Polaris Eos, etc.) commande le fonctionnement de l'AquaRite — l'interrupteur principal et le bouton de réglage « Production Désirée % » (Niveau de chloration désiré) sont alors désactivés. Lorsqu'il clignote, le dispositif de commande Aqua Logic, Intellitouch ou Eos est en mode SERVICE ou TEMPS D'ARRÊT et l'interrupteur principal et le bouton de réglage « Production Désirée % » (Niveau de chloration désiré) sont activés.

**PAS DE DÉBIT** - Ce voyant s'allume lorsque le commutateur de flux détecte qu'il n'y a aucun écoulement d'eau et que le système AquaRite a cessé de produire du chlore. Ce DEL clignote pour indiquer un délai de temporisation de 15 à 60 secondes.

**VÉRIFIER LE NIVEAU DE SEL** - Ce DEL clignote pour indiquer que la concentration de sel est faible (inférieure à 2 700 ppm) et que le chlorateur AquaRite fonctionne à faible rendement. Lorsque le voyant s'allume d'un feu continu, la concentration de sel est trop faible et AquaRite s'est arrêté. Avant d'ajouter de grandes quantités de sel, nous recommandons de faire vérifier la concentration de sel par un professionnel.

**NIVEAU DE SEL ÉLEVÉ** - Lorsque ce voyant s'illumine, la concentration de sel est trop élevée et le chlorateur AquaRite s'est arrêté.



# HAYWARD®

**VÉRIFIER LA CELLULE** - Ce voyant clignote pour indiquer que le rendement de la cellule est réduit, ou qu'il est temps de procéder à l'inspection de routine de la cellule. Dans les deux cas, procédez à l'inspection et nettoyez la cellule au besoin. Lorsque le voyant s'allume d'un feu continu, le rendement de la cellule est très réduit et le système AquaRite a cessé de produire du chlore. Inspectez la cellule, nettoyez-la ou remplacez-la au besoin.

## Pour régler le type de cellule du chlorateur

Avant de le mettre en marche, le système AquaRite doit être configuré pour le type de chlorateur que vous utiliserez. La « Turbo Cell » qui vous convient vous est fournie avec votre modèle de système AquaRite. Pour configurer l'appareil pour votre type de « Turbo Cell », suivez les consignes suivantes.

- « t-3 » = si vous utilisez une cellule de type T-CELL-3 ou GLX-CELL-3-W
- « t-9 » = si vous utilisez une cellule de type T-CELL-9, GLX-CELL-9-W ou TCELL925-CUL
- « t-15 » = si vous utilisez une cellule de type T-CELL-15, GLX-CELL-15-W ou TCELL940-CUL
- « t-5 » = si vous utilisez une cellule de type GLX-CELL-5 ou GLX-CELL-5-W

1. Déplacez l'interrupteur principal de la position « OFF » à la position « AUTO ».
2. Appuyez sur le bouton Diagnostic plusieurs fois jusqu'à ce que la mention « t-xx » apparaisse à l'écran (« t-15 » est réglé par défaut en usine). Si le type de cellule souhaité s'affiche, passez directement à l'étape 4.
3. Pour modifier le type de cellule, faites glisser l'interrupteur principal de la position « Auto » à la position « SuperChlorinate » (« Hyper-chloration »), puis retournez sur « Auto ». Recommencez ce processus jusqu'à ce que le type de cellule souhaité s'affiche.
4. Appuyez sur le bouton Diagnostic pour quitter ce menu.

## Écran de la concentration en sel

Reportez-vous à la partie sur la composition chimique de l'eau pour connaître les concentrations en sel recommandées, ainsi que la façon de procéder pour ajouter et enlever le sel. L'écran de la concentration en sel indique la concentration moyenne de sel dans l'eau de la piscine. L'affichage par défaut réglé en usine est exprimé en unités anglaises (ppm). Si vous préférez utiliser des unités métriques (grammes par litre), suivez la procédure détaillée sur l'écran des températures. Lorsque le système AquaRite affiche une lecture en grammes par litre, la lecture comprend une décimale (p. ex., 3,2 g/L = 3200 ppm).

## Écran des températures

Cet écran indique la température courante de l'eau de la piscine. La température réglée en usine par défaut est exprimée en °F. L'écran des températures et celui de la concentration en sel peuvent tous deux être programmés pour indiquer les données en unités métriques. Pour afficher les températures en °C et la concentration en sel en g/l, procédez comme suit :

1. Déplacez l'interrupteur principal de la position « OFF » à la position « AUTO ».
2. Appuyez sur le bouton Diagnostic plusieurs fois jusqu'à ce que la mention température apparaisse.
3. Faites glisser l'interrupteur principal de la position « Auto » à la position « SuperChlorinate » (« Hyper-chloration »), puis retournez sur « Auto ».
4. Appuyez sur le bouton Diagnostic pour quitter ce menu.



# HAYWARD®

## Teneur en sel instantanée

La teneur en sel instantanée correspond à la concentration en sel de l'eau de la piscine au moment de la vérification. Si vous avez récemment ajouté du sel, il se peut que la teneur en sel instantanée reflète le changement alors que l'écran de la concentration en sel (concentration moyenne de sel) affiche le changement avec un peu de retard. Dans ce cas-là, vous pouvez « mettre à jour » l'écran de concentration du sel en fonction de la nouvelle mesure indiquée par la teneur en sel instantanée. Pour ce faire, suivez les étapes ci-dessous.

1. Faites glisser l'interrupteur principal en position « Auto ».
2. Appuyez sur le bouton Diagnostic plusieurs fois jusqu'à ce que la mention « -xxxx ppm » apparaisse.
3. Faites glisser l'interrupteur principal de la position « Auto » à la position « SuperChlorinate » (« Hyper-chloration »), puis retournez sur « Auto ».
4. Appuyez sur le bouton Diagnostic pour quitter ce menu.

## Fonctionnement

En supposant que la composition chimique de l'eau se situe à l'intérieur des plages recommandées, trois facteurs sous votre contrôle direct affectent la quantité de chlore générée par le système AquaRite comme suit :

1. la durée de marche du système de filtrage chaque jour (en heures)
2. le réglage du « débit désiré »
3. la quantité de sel dans la piscine

La minuterie de la pompe de filtrage doit être réglée de telle façon que toute l'eau de la piscine puisse passer dans le système de filtrage chaque jour. Pour les piscine qui ont besoin d'une plus grande teneur en chlore, la minuterie peut être réglée sur un cycle plus long afin de générer une quantité suffisante de chlore.

Pour trouver le réglage optimum du « débit désiré », commencez avec 50 %. Testez la concentration de chlore tous les deux ou trois jours et ajustez le réglage plus haut ou plus bas au besoin. Il faut généralement deux ou trois ajustements avant de trouver le réglage optimal pour votre piscine/spa; après cela, le chlorateur n'exigera que des ajustements mineurs de temps à autre. Comme les piscines exigent plus de chlore par temps chaud, la plupart des utilisateurs trouvent nécessaire de régler le débit à la hausse au sommet de l'été et de le baisser quand il fait plus froid. Le système AquaRite s'arrête automatiquement quand l'eau de la piscine descend en bas de 50 °F. Cela ne présente pas vraiment un problème car les bactéries et les algues cessent de se propager à cette température. Vous pouvez supplanter le seuil inférieur de température en mettant l'interrupteur principal à la position SUPER CHLORATION pendant un jour.

NOTE : Après le réglage de production % idéal trouvé, il se peut que vous deviez augmenter la production, lorsque la température de l'eau de votre piscine augmente de manière significative ou lorsqu'il y a un surplus de baigneur ou que la cellule de votre chlorateur vieillit. Vous pourriez avoir à diminuer la production lorsque la température de l'eau de votre piscine diminue de manière significative ou lors de longues périodes d'inactivités.

Évitez la sur-chloration par temps froid : Effectuez des tests périodiques pour vérifier la concentration de chlore. Les piscines ont généralement besoin de moins de chlore pendant la saison froide; baissez le réglage du « débit désiré » en conséquence.



# HAYWARD®

Lorsque la piscine est raccordée à un dispositif de commande automatique (Hayward/Goldline Aqua Logic, Pentair Intellitouch ou Polaris Eos) : Le système AquaRite a été conçu pour fonctionner avec tous les dispositifs de commande automatiques pour piscines. Les systèmes Aqua Logic, Intellitouch ou Eos peuvent commander entièrement toutes les fonctions du chlorateur AquaRite en plus de celles des autres appareils de la piscine. Le DEL « Contrôle À Distance » du chlorateur AquaRite s'allumera dès que le dispositif de commande automatique sera activé. Le réglage du niveau de chloration désiré « Production Désirée % » de l'AquaRite, tout comme la commande de surchloration, peuvent être effectués à partir de l'écran ou du clavier numérique du dispositif de commande automatique. Pour plus de renseignements, consulter les instructions du dispositif de commande automatique. L'affichage de la concentration de sel de l'AquaRite et les voyants LED fonctionnent normalement, mais l'interrupteur principal et le bouton de réglage « Production Désirée % » (Niveau de chloration désiré) sont désactivés.

## Entretien du système AquaRite

Pour assurer la performance optimale du système, nous vous recommandons d'ouvrir le boîtier et de procéder à une inspection visuelle de la cellule tous les trois mois, ou chaque fois que vous nettoyez le filtre. Le système AquaRite vous rappellera aussi de faire l'inspection en faisant clignoter la DEL « Inspecter la cellule » après 500 heures d'opération. Quand vous aurez terminé l'inspection de la cellule (et son nettoyage, au besoin), appuyez pendant 3 secondes sur le bouton « Diagnostique », situé à côté de l'écran, pour arrêter le clignotement de la DEL « Inspecter la cellule » et faire repartir la minuterie pour un autre cycle de 500 heures.

La cellule électrolytique du système AquaRite est munie d'une fonction auto-nettoyante incorporée dans la logique des commandes électroniques. Dans la plupart des cas, cette fonction auto-nettoyante permettra à la cellule de fonctionner à une efficacité optimale. Dans les zones d'eau dure (à forte teneur minérale) et dans les piscines où la composition chimique de l'eau est gravement compromise, la cellule peut avoir besoin d'un nettoyage périodique. La DEL « Inspecter la cellule » s'allumera pour indiquer que le rendement de la cellule a baissé et qu'un entretien s'impose. Si la DEL « Inspecter la cellule » reste allumée après un bon nettoyage, la cellule est peut-être usée et doit être remplacée.

## Entretien et nettoyage de la cellule AquaRite

Coupez le courant au système AquaRite avant de retirer la cellule électrolytique. Après l'avoir sortie, regardez à l'intérieur de la cellule pour déceler des traces d'entartrage (dépôts friables ou floconneux de couleur pâle) et des débris qui ont échappé au filtre et qui sont collés sur les plaques. Si vous ne voyez aucun dépôt, remettez la cellule en place. Si des dépôts sont présents, essayez d'enlever les écailles en pointant dessus le jet d'un tuyau d'arrosage à haute pression. Si cette méthode ne réussit pas, utilisez un outil en plastique ou en bois pour racler les dépôts collés sur les plaques (n'utilisez pas d'outil métallique pour cette opération car cela risque d'égratigner le revêtement de la plaque). Une accumulation de dépôts sur la cellule indique une concentration exceptionnellement élevée de calcium dans l'eau de la piscine (l'eau de piscine moins fraîche est généralement la cause de cette condition). Si la situation n'est pas corrigée, vous devrez nettoyer la cellule de temps en temps. La façon la plus simple d'éviter ce problème est de maintenir la composition chimique de l'eau dans les concentrations recommandées.

**Lavage acide doux** : cette méthode est utilisée dans des cas difficiles quand le rinçage et le raclage ne réussissent pas à enlever une grande partie des dépôts. Pour effectuer un lavage acide, d'abord, coupez le courant à l'AquaRite. Retirez la cellule de la conduite. Dans un récipient en plastique propre, mélangez une solution composée de 4 parties d'eau pour 1 partie d'acide chlorhydrique (un gallon d'eau pour une pinte d'acide chlorhydrique). AJOUTEZ TOUJOURS L'ACIDE À L'EAU - N'AJOUTEZ JAMAIS L'EAU À L'ACIDE. Veillez à porter des gants en caoutchouc et des lunettes de protection.



# HAYWARD®

Le niveau de la solution dans le contenant doit juste atteindre le haut de la cellule de sorte que le compartiment du faisceau de câbles n'est PAS immergé. Pour faciliter la tâche, enroulez le fil avant d'immerger la cellule. Laissez la cellule tremper pendant quelques minutes puis rincez-la avec un tuyau d'arrosage à haute pression. Si les dépôts sont toujours présents, répétez le trempage et le rinçage. Remettez la cellule en place et inspectez à nouveau de temps à autre.

## Hivérisation

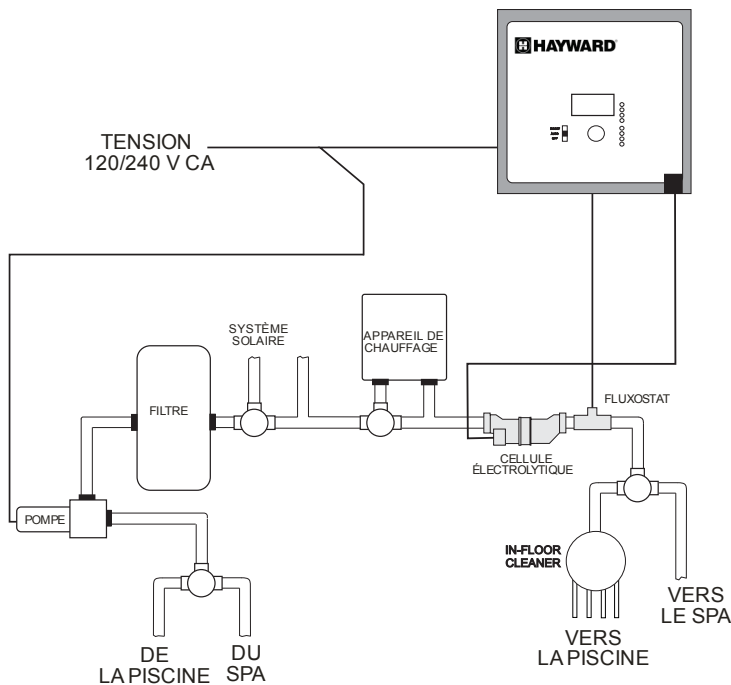
La cellule électrolytique AquaRite et le commutateur de flux seront endommagés dans l'eau glacée tout comme la tuyauterie de la piscine. Dans les régions qui connaissent de longues périodes de gel, assurez-vous de drainer tout l'eau de la pompe, du filtre, ainsi que des conduites d'alimentation et de retour avant l'arrivée du gel. L'unité de commande électronique peut supporter les températures d'hiver et ne doit pas être enlevée.

## Démarrage de printemps

NE METTEZ PAS le système AquaRite en marche avant d'avoir établi la composition chimique de l'eau dans les concentrations recommandées. Vous trouverez ce renseignement à la page 3.

# Installation

L'installation doit être faite conformément au Code national et au code local de l'électricité.





## Préparation de l'eau de la piscine /du spa

Reportez-vous à la page 3 pour les concentrations chimiques recommandées. La composition chimique de la piscine doit être équilibrée AVANT de mettre le système AquaRite® en marche. REMARQUE : Si l'eau de la piscine n'est pas nouvelle, ajoutez une pinte (1 litre) de décapant pour métal et 1 pinte (1 litre) d'algicide sans cuivre, selon les instructions du fabricant. Cela assurera un transfert rapide sans trouble au système AquaRite.

## Montage de la station de commande du système AquaRite

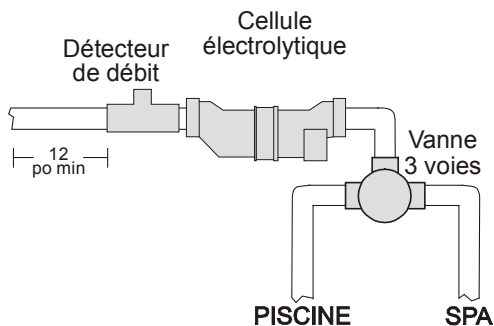
Le système AquaRite est logé dans un boîtier imperméable qui convient à une installation à l'extérieur. La station de commande doit être installée à une distance minimale de 5 pi. (2 mètres) de la piscine / du spa (plus si les codes locaux l'exigent).

La station de commande doit être montée à la verticale sur une surface plane, en orientant les plaques d'éjection vers le bas. Comme le boîtier sert en même temps de puits de chaleur (distribuant la chaleur à l'intérieur), il est important de ne pas bloquer les quatre côtés de la station de commandes. N'installez pas le système AquaRite derrière un panneau ou dans un endroit clos.

## Plomberie

Assurez-vous que l'installation du système AquaRite® ne constitue pas une connexion transversale avec le système local d'alimentation en eau potable. Consultez les codes de plomberie locaux. L'AquaRite Pro est vendue avec un détecteur de débit et des raccords-union. Vous devez acheter la cellule séparément. Reportez-vous à la page 3 pour obtenir des renseignements sur les cellules de chlorateur disponibles. Le commutateur de flux et la cellule doivent être raccordés au câble de retour de la piscine / du spa. Le meilleur mode d'installation est derrière (en aval) des autres équipements de piscine (filtre, appareil de chauffage, couverture solaire, etc.) Les raccords en T de la cellule électrolytique et du commutateur de flux sont conçus pour connexion à des tuyaux en PVC de 2 po (51 mm). Des adaptateurs (non compris) peuvent être utilisés pour accommoder les tuyaux de 1 1/2 po (38 mm).

Pour une tuyauterie appropriée, référez-vous au diagramme de vue d'ensemble à la page 11 et au diagramme ci-dessous.



**Commutateur de flux :** IMPORTANT : un tuyau droit d'au moins 12 po (25 cm) doit être installé devant (en amont) du commutateur de flux. Pour assurer le bon fonctionnement du système, assurez-vous que la flèche du commutateur (située sur le haut de l'hexagonal gris) est orientée dans la direction du flux d'eau.

**Cellule électrolytique :** Utilisez les raccords-union fournis pour faire l'installation. Serrez les raccords-union À LA MAIN pour obtenir un joint étanche.

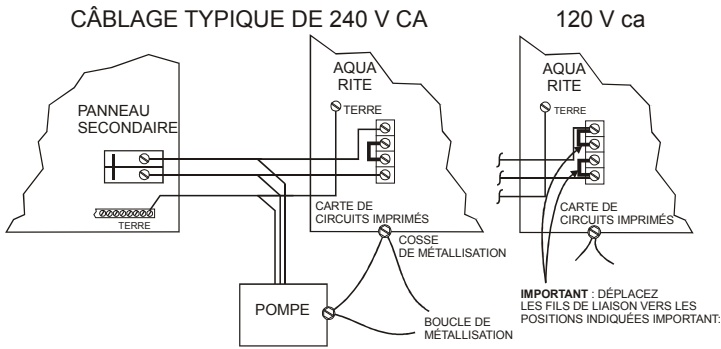


## Câblage

Le courant doit être coupé au niveau du disjoncteur avant de procéder à tout travail de câblage. Veuillez à vous conformer aux codes national et local de l'électricité. Pour assurer un fonctionnement sécuritaire, le système AquaRite® doit être mis à la terre et branché de manière appropriée.

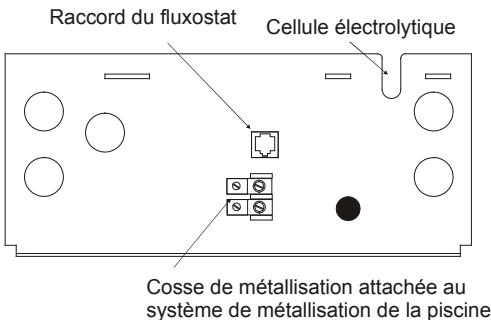
## Puissance d'entrée pour l'AquaRite

Reportez-vous aux étiquettes de câblage du système AquaRite ainsi qu'au schéma ci-dessous pour déterminer les raccordements de fils appropriés. Le système AquaRite est expédié de l'usine avec les étriers de connexion à la position 240 VCA. Si vous utilisez le courant 120 VCA, déplacez les étriers de connexion tel que cela est montré ci-dessous. Pour les modèles canadiens, le système AquaRite doit être branché à un circuit protégé par disjoncteur de fuite à la terre de classe A. Assurez-vous de brancher le fil de terre à la borne de terre verte située au bas du boîtier.



**Connexion :** Une cosse destinée au liage électrique est fixée au bas du boîtier du système (voir le schéma ci-dessous). Le système AquaRite doit être raccordé avec du fil de cuivre de calibre 8 AWG (6 AWG au Canada) au système électrique de la piscine.

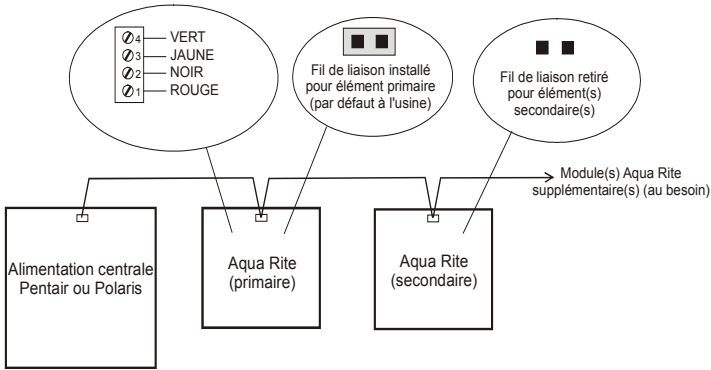
**Cellule électrolytique et commutateur de flux :** La cellule électrolytique et les câbles du commutateur de flux sont terminés avec des connecteurs qui se branchent dans le système AquaRite, pour faciliter le branchement et le débranchement. Ouvrez la porte pour accéder au connecteur du câble de la cellule. Le commutateur de flux se branche directement dans une fiche de connexion (semblable à une prise de téléphone) située sur la face externe, au bas du boîtier. Reportez-vous au schéma suivant pour identifier l'emplacement des raccords.



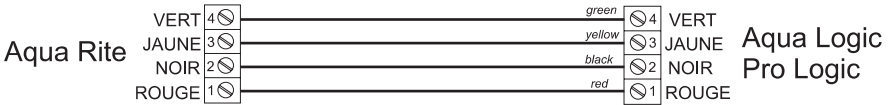


# HAYWARD®

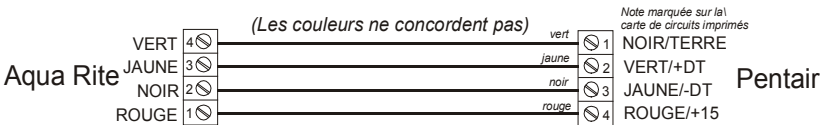
*Dispositifs de commande Goldline, Pentair et Polaris offerts en options* : Les dispositifs de commande Goldline, Pentair et Polaris sont dotés d'une connexion à 4 fils aux fins du branchement au chlorateur AquaRite. Ils peuvent être branchés jusqu'à une distance de 500 pieds. On peut avoir recours à n'importe quel câble de catégorie 4 pour service extérieur. Consulter les instructions de chaque fabricant et les schémas de câblage ci-dessous afin d'effectuer les branchements appropriés au chlorateur AquaRite. Un seul appareil doit être branché comme un appareil « primaire ». Tous les autres chlorateurs AquaRite doit être configurés comme « secondaires ».



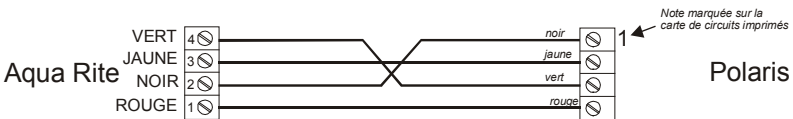
Hayward – Raccorder les fils aux bornes appropriées conformément à l'illustration ci-dessous.



Pentair - Raccordez les fils aux bornes numérotées sur le côté opposé tel qu'illustré dans le schéma ci-dessous. Notez que les couleurs marquées sur le Pentair PCB ne concordent pas avec celles du système AquaRite.



Polaris - Raccordez les fils aux bornes appropriées tel qu'illustré dans le schéma ci-dessous. Notez que la borne numéro « 1 » est marquée sur le Polaris PCB.





# HAYWARD®

## Dépannage

Visitez [www.haywardnet.com](http://www.haywardnet.com) pour des renseignements utiles concernant le fonctionnement, l'entretien et le dépannage du système AquaRite Générateur de chlore électronique.

### Affichages de diagnostic

Lorsque vous appuyez à coups successifs sur le bouton de diagnostic situé à côté de l'écran ACL, AquaRite affichera les renseignements suivants :

1. La température de la piscine (xx degrés Fahrenheit ou Celsius)
2. La tension de la cellule (xx.x volts)
3. Le courant de la cellule (x.xx ampères)
4. Le % du débit désiré (« 0 % » à « 100 % » selon le réglage du bouton ou les commandes de la station de commande automatique à distance de la piscine)
5. La concentration en sel ( -xxx ppm ou -x,xx grammes/litre)
6. Le nom du produit qui figure sur l'écran de la station de commande automatique de la piscine (« L-0 » signifie « AquaRite »)
7. Le numéro de version révisée du logiciel (r1.xx)
8. Types de cellule du chlorateur (t-3, t-5, t-9, t-15)

En appuyant une 9e fois sur le bouton, l'écran revient à l'affichage par défaut de la concentration en sel. De même, si vous n'appuyez pas sur le bouton pendant 30 secondes, l'affichage revient à l'écran par défaut de concentration en sel.

### Problèmes fréquents et solutions

#### 1. La DEL d'alimentation ne s'allume pas

Vérifiez qu'une source d'alimentation de 120 V CA ou 240 V CA est correctement branchée à la borne correspondante du système AquaRite. Vérifiez la tension d'entrée avec un voltmètre. Si la puissance d'entrée est présente, un fusible défectueux peut être la cause du problème. Le système AquaRite comporte un mini-fusible ATO de 20 ampères situé sur le disjoncteur, au haut du connecteur de la cellule.

#### 2. La DEL « Génération » clignote

La température de la piscine est trop élevée ou trop basse pour permettre le fonctionnement du système. Vous pouvez supplanter les seuils limites établis dans le système en mettant l'interrupteur principal à la position HYPER-CHLORATION. Le système AquaRite fonctionnera à son rendement maximum pendant le reste du cycle de la pompe ou 24 heures au maximum.

#### 3. La DEL « Débit nul » est allumée

AquaRite a détecté qu'il n'y a aucun écoulement et a cessé de produire du chlore. Vérifiez que le commutateur de flux est branché dans le connecteur au bas de l'unité de contrôle et que le fil n'est pas coupé ou endommagé. Vérifiez que vous avez une conduite droite d'au moins 12 po avant d'arriver au commutateur de flux. Si l'écoulement est adéquat mais la DEL est toujours allumée, vérifiez que la flèche sur le commutateur de flux pointe dans la direction de l'écoulement.

#### 4. La DEL « Vérifiez le sel » est allumée ou clignote

Assurez-vous d'avoir sélectionné le modèle approprié de cellule turbo (page 8). Vérifiez la concentration de sel dans la piscine ou dans le spa. Si la concentration de sel est faible, ajoutez du sel en vous basant sur le tableau à la page 5. Avant d'ajouter de grandes quantités de sel, nous recommandons de faire vérifier la concentration de sel par un professionnel.



# HAYWARD®

## 5. La DEL « Concentration de sel élevée » est allumée

Assurez-vous d'avoir sélectionné le modèle approprié de cellule turbo (page 8). Vérifiez la concentration de sel dans la piscine ou dans le spa. Si la concentration de sel est trop élevée, baissez-la en drainant une partie de la piscine et en la remplissant à nouveau avec de l'eau fraîche. Poursuivez le processus d'ajustement jusqu'à ce que la concentration de sel est au niveau recommandé.

## 6. La DEL « Inspectez la cellule » clignote

Assurez-vous d'avoir sélectionné le modèle approprié de cellule turbo (page 8). Inspectez et nettoyez la cellule conformément aux instructions à la page 8. Quand cette opération est terminée, appuyez sur le bouton « diagnostic » pendant 3 secondes pour arrêter le clignotement de la DEL.

## 7. La DEL « Inspectez la cellule » est allumée

Assurez-vous d'avoir sélectionné le modèle approprié de cellule turbo (page 8). Retirez la cellule et inspectez-la pour déceler la présence d'écailles. Si la cellule est écaillée, suivez les directives à la page 10 pour la nettoyer. Si la concentration de sel est appropriée mais la DEL « inspectez la cellule » est toujours allumée, la cellule est peut être usée et doit être remplacée.

## 8. Causes possibles d'un rendement en chlore libre faible ou nul

- L'interrupteur AquaRite est à la position ARRÊT.
- Le réglage du débit désiré est trop bas.
- Faible concentration de stabilisant (acide cyanurique).
- La durée de filtrage est trop courte (8 heures pour les piscines de taille moyenne, durée plus longue pour les piscines plus grandes)
- La concentration de sel est trop faible (inférieure à 2 500 ppm, voir : La DEL « vérifiez le sel » est allumée).
- La concentration en sel est trop élevée (la DEL « concentration en sel élevée » est allumée).
- Les piscines très chaudes demandent plus de chlore : augmentez le réglage du débit désiré ou la durée de filtrage.
- L'eau froide cause (inférieure à 50 oF) cause AquaRite à cesser la production de chlore (la DEL « génération » clignote).
- Il y a un dépôt d'écailles excessif sur la cellule.
- L'eau de la piscine contient une forte concentration d'azote.
- Un traitement « contre les algues jaunes » ou autres traitements semblables sont utilisés récemment. Certains traitements pour lutter contre les algues jaunes utilisent le chlore en grande quantité et épuisent la quantité de chlore libre disponible. Effectuez un traitement de choc manuel pour l'eau de la piscine s'il y a lieu, en suivant les directives de traitement d'élimination des algues. Il faut parfois quelques jours avant que la piscine revienne à l'état normal où les tests de chlore montrent une lecture de concentration de chlore libre de 1 à 3 ppm.

## 9. « -Pcb- » est affiché et les 4 DEL sont allumées

Une défaillance de la carte de circuit imprimé a été décelée. Appelez le service d'entretien.



**HAYWARD®**



# HAYWARD®

**GARANTIE LIMITÉE** (en vigueur le 01/03/12) Hayward garantit que ses produits de chloration AquaRite 900 sont exempts de défauts de matériaux et de main-d'œuvre, lorsqu'utilisés et entretenus de façon normale, pour une période de cinq (5) ans. Ces garanties s'appliquent à compter de la date initiale d'installation sur des piscines résidentielles privées aux États-Unis et au Canada. De même, Hayward garantit tous les accessoires et toutes les pièces de rechange pour les produits susmentionnés d'automatisation et de chloration pour piscines pendant une période d'un (1) an. L'installation de produits destinés à des piscines commerciales aux États-Unis et au Canada est couverte pour une période d'un (1) an. Les accessoires comprennent également les commandes, actionneurs, stations de base, capteurs de température, commutateurs de débit et sondes chimiques. Aucune de ces garanties n'est transférable, et chacune d'entre elles s'applique uniquement au propriétaire initial.

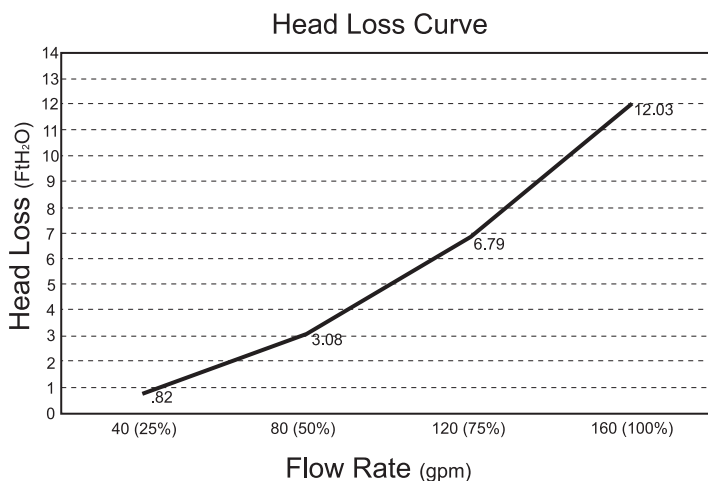
Hayward ne sera en aucun cas responsable des frais de main-d'œuvre reliés au transport, au démontage, à la réparation ou à l'installation ou d'aucun autre coût encouru pour l'obtention de pièces de rechange ou de réparation de garantie.

Une preuve d'achat est requise pour le service au titre de la garantie. En l'absence de preuve d'achat, le code indiquant la date de fabrication constituera l'unique déterminant de la date d'installation du produit. Pour obtenir un entretien ou une réparation au titre de la garantie, veuillez communiquer avec le centre de service autorisé par Hayward le plus proche. Pour de plus amples renseignements au sujet des centres de service autorisés, veuillez communiquer avec le centre de soutien technique d'Hayward (2880 Plymouth Drive, Oakville, ON, L6H 5R4), ou consultez le site Web de Hayward au [www.haywardcanada.com](http://www.haywardcanada.com).

#### EXCLUSIONS DE GARANTIE

1. Matériaux fournis ou travaux effectués par d'autres pendant le processus d'installation.
2. Dommages résultant d'une installation incorrecte, y compris l'installation sur des piscines plus grandes que la puissance nominale du produit.
3. Problèmes résultant de l'omission d'installer, d'utiliser et d'entretenir le(s) produit(s) conformément aux recommandations figurant dans le(s) manuel(s) du propriétaire.
4. Problèmes résultant de l'omission de maintenir la composition chimique de l'eau selon les recommandations figurant dans le(s) manuel(s) du propriétaire.
5. Problèmes résultant de tentatives d'altération, d'accidents, d'usage abusif, de négligence, de réparations ou de modifications non autorisées, d'incendie, d'inondation, d'éclair, de gel, d'infiltration d'eau de l'extérieur, de dégradation de la pierre naturelle utilisée ou située dans l'proximité immédiate d'une piscine ou d'un spa, de guerre ou de calamités naturelles.
6. L'utilisation d'une cellule de chloration au sel qui n'est pas une pièce de rechange authentique de Hayward sur tout produit d'automatisation ou de chloration de marque Hayward annulera la garantie de ce produit.

La garantie limitée expressément mentionnée ci-dessus constitue la garantie intégrale de Hayward relativement à ses produits et tient lieu de toute autre garantie, expresse ou tacite, y compris la garantie de valeur marchande ou d'adaptation à un usage particulier. En aucun moment Hayward Canada sera-t-elle responsable de quelque dommage indirect, particulier ou accessoire de quelque nature qu'il soit. Certaines juridictions ne permettent aucune limite relative à la durée d'une garantie implicite ou à l'exclusion liée aux dommages accessoires ou indirects. Il est donc possible que la limite susmentionnée ne s'applique pas à vous. Cette garantie vous confère des droits juridiques spécifiques et vous pourriez également bénéficier d'autres droits, lesquels varient d'une juridiction à l'autre.



For further information or consumer technical support, visit our website at **[www.hayward.com](http://www.hayward.com)**

Pour de plus amples informations ou un soutien technique au consommateur, visitez notre site Web à [www.hayward-pool.ca](http://www.hayward-pool.ca)  
Canada: 888-238-POOL



Hayward is a registered trademark and AquaRite, Pro Logic and Aqua Logic are trademarks of Hayward Industries, Inc. © 2016 Hayward Industries, Inc.

All other trademarks not owned by Hayward are the property of their respective owners. Hayward is not in any way affiliated with or endorsed by those third parties.

USE ONLY HAYWARD GENUINE REPLACEMENT PARTS